

PREPARED FOR:

Penncast Designs

150 Brown Rd.
Pittston, PA 18640

DESIGN COMPUTATIONS FOR:

Standard Design

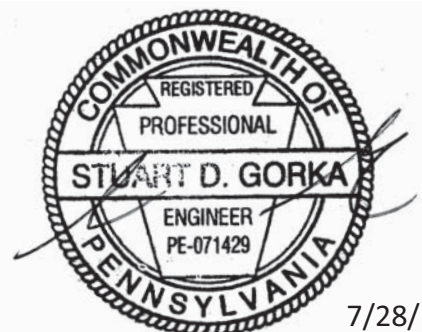
PRODUCT:

**Precast Concrete Light Pole Base
24"Diameter x 8'-0"**

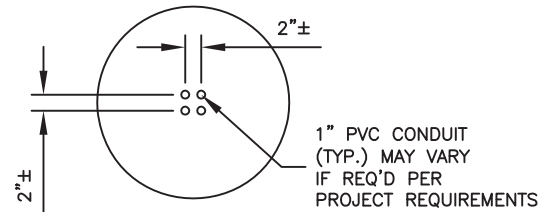
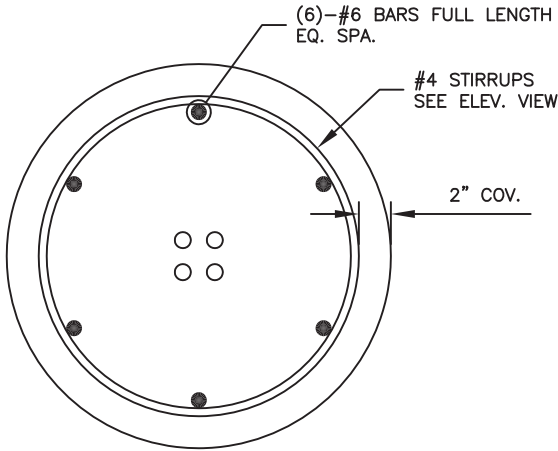
SPECIALTY ENGINEERING SERVICES PROVIDED BY:

Concrete Engineering Solutions, LLC

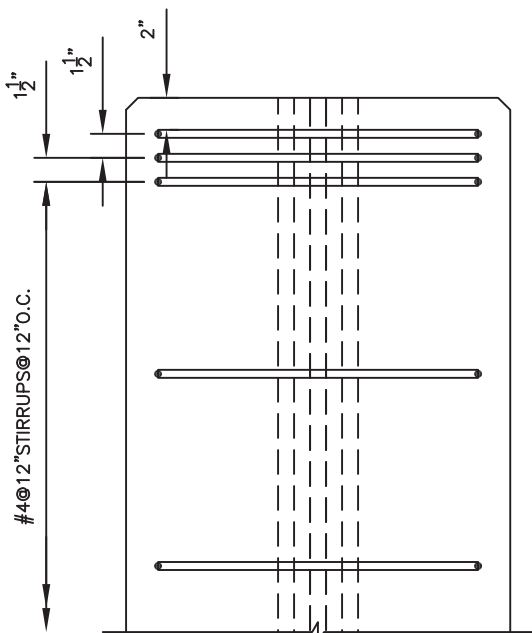
101 Pineview Estates
Mountain Top, PA 18707
Phone: 570-868-2081
Fax: 570-868-2082



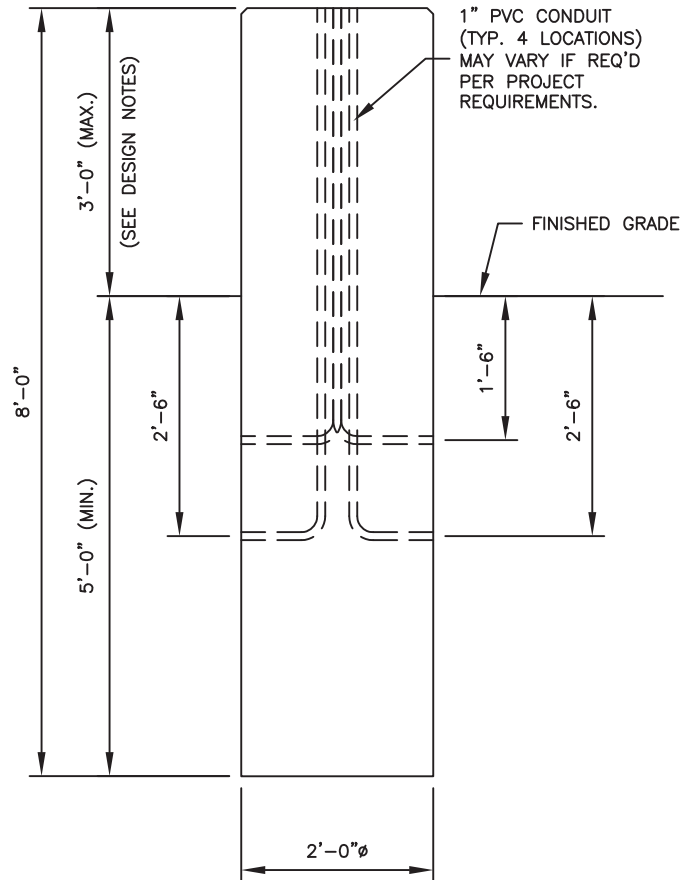
7/28/14



PLAN VIEW



STIRRUP DETAIL



SECTION VIEW

DESIGN NOTES

1. DESIGN PER ASCE7-10 & ACI318.
2. MAX. ALLOWABLE TOTAL LUMINAIRE EPA 3.5SF
(UP TO 4 LUMINAIRES PERMISSIBLE)
3. AVG. POLE THICKNESS: 6" (ROUND OR SQUARE)
4. ANCHOR BOLT DESIGN AND DETAILS BY OTHERS.
5. WIND LOAD ASSUMPTIONS:
 - A. 115 MPH MAX WIND SPEED.
 - B. EXPOSURE C
 - C. BUILDING CATEGORY: II
6. MAX MOUNTING HEIGHTS BASED UPON CONDITIONS:
 - UP TO 30' MOUNTING HEIGHT:
TOP OF BASE: 36" MAX. ABOVE GRADE.
 - UP TO 35' MOUNTING HEIGHT:
TOP OF BASE: 30" MAX. ABOVE GRADE.
7. DESIGN BASED UPON COHESIONLESS SOIL. ENGINEER OF RECORD TO PROVIDE ADD'L SOIL PROPERTIES FOR ANALYSIS OF POLE BASES WHERE COHESIVE SOILS ARE ANTICIPATED.
8. CONCRETE STRENGTH: 4,000PSI MIN.
9. REINFORCING: ASTM A615, GR 60.

PREPARED FOR: PENNCAST DESIGNS, LLC PITTSTON, PA PHONE: 570-299-5845			
SPECIALTY ENGINEERING PROVIDED BY: CONCRETE ENGINEERING SOLUTIONS, LLC 101 PINE VIEW ESTATES MOUNTAIN TOP, PA 18707 PHONE: 570-868-2081 FAX: 570-868-2082			
REV. NO.	DATE	REVISION	
SHEET TITLE: REINFORCING SUMMARY			
PROJECT: STANDARD PRECAST CONCRETE 24"Ø LIGHT POLE BASES			
SCALE: N.T.S.	DATE: 7/26/14	DRWN BY: SDG	DWG. I.D. RS-01
CES PROJECT #: 14-66.01		SHT. NO. 1 OF 1	